

Conventional Explosion Proof Manual Call Point



Technical Data

Supply voltage	250 V ac max, 50 V dc max
Switch	5 A max at 250 V ac 1 A max at 50 V dc
Rating	II 2 G Ex e d IIC T6 Gb Ta = -40°C to +55°C II 2 D Ex t IIIC T60°C Db
Operating temperature	-40°C to +55°C
IP Rating	IP66
Standards & approvals	EN 54-11, IECEx, ATEX, EAC, InMetro and Gost-R
Weight	0.8kg
Cable entries*	2 x M20 top 1 x M20 side
Materials	Housing - Marine grade copper-free LM6 aluminium
Finish	Housing- Phosphated and powder coated anti-corrosion finish

Note: Backbox can be rotated to supply 2 x bottom and 1 x side entries
2 x Ex e nylon stopping plugs supplied as standard

Product Overview

Product	Conventional Explosion Proof Manual Call Point
Part No.	29600-508

Approvals

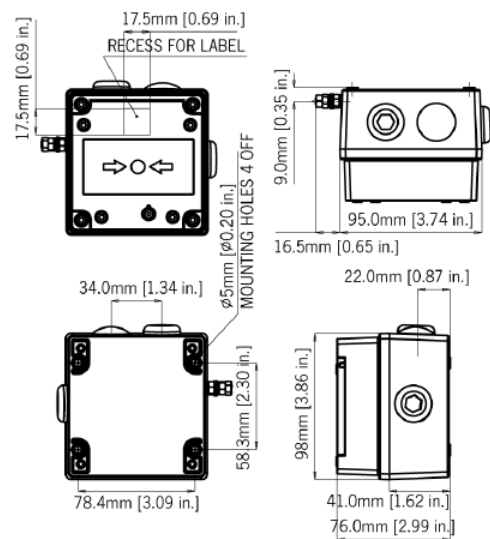


Product Information

The conventional Explosion Proof Manual Call Point is break-glass operated with a flap. It is approved for use in Zone 1, 2, 21 and 22 hazardous areas for the control of fire and gas alarm systems.

- ATEX certified
- IECEx certified
- Complies with EN 54-11

Explosion proof manual call point dimensions



36 Brookside Road, Havant | Tel: +44 (0)23 9249 2412 | Email: sales@apollo-fire.com
Hampshire, PO9 1JR, UK. | Fax: +44 (0)23 9249 2754 | Web: www.apollo-fire.co.uk



A HALMA COMPANY
© Apollo Fire Detectors Limited 2017



This page has intentionally been left blank