

Intelligent Marine Manual Call Point



Product Overview

Product	Manual Call Point
Part No.	SA5900-928MAR
Digital Communication	XP95®, Discovery® and CoreProtocol® compatible

Compliance



Product Information

The Intelligent Marine Manual Call Point (MCP) has been designed to operate on a loop of intelligent fire detection devices. An alarm is initiated by pressing the resettable element. The MCP signals to the fire control panel using an interrupt feature within the Apollo Digital Communication Protocol (see Table 1). An alarm status is indicated through the rotation of the resettable element, displaying yellow and black indication bars and a solid red LED. The MCP can be easily reset from the front using the supplied reset key.

The Intelligent Marine MCP is intended for indoor marine and offshore applications and has a built in short-circuit isolator.

- Resettable operating element
- Easy access, front reset mechanism
- E-Z fit connector system for installation
- Ergonomic reset key
- EN 54-11 & EN 54-17 Certified
- Continuity link for cable insulation testing
- Suitable for semi flush or surface mounting

Technical Data

All data is supplied subject to change without notice. Specifications are typical at 24V, 25°C and 50% RH unless otherwise stated.

Supply voltage (Vmin-Vmax)	17-35 V dc
Digital Communications Protocol	XP95, Discovery and CoreProtocol compatible 5-13 V Peak to Peak
Current Consumption (max) at 24V dc	
Power Up Surge (1s typical)	1 mA
Quiescent	100 µA
Alarm/Operated current (LED On)	4 mA
Product operating temperature	-40°C to +70°C
Humidity	0% to 95% RH
IP rating	IP44
Vibration, impact and shock	EN 54-11:2001, EN 54-17:2005 and IEC 60092-504:2016
Approvals and standards	EN 54-11:2001, EN 54-17:2005, CPR, LPCB, MED, ABS
Dimensions	90 mm height x 90 mm width x 63 mm depth
Weight	180 g
Material	Housing: Red self-coloured polycarbonate /ABS

Operation

A solid red alarm LED is provided on the MCP. This LED is controlled independently of the call point, by the control panel. The LED will flash yellow if there is a fault and flash green when the device is polled. Refer to the table that follows for the analogue values of quiescent and alarm states.

Analogue values

Value	Status
16	Quiescent
64	Alarm
4	General Fault
1	Switch Fault

Once activated, the Intelligent Marine MCP can be reset by inserting the reset key into the front facing LED, turning clockwise until a positive click and reset occurs.

The Intelligent Marine MCP incorporates a short circuit isolator which will ensure its operation in the event of a short circuit fault on the loop. Isolator operation is indicated by a solid yellow LED. For further details of the isolator refer to data sheet PP2090, available at www.apollo-fire.co.uk

This MCP helps reduce installation time as all the initial installation cabling is wired to a removable terminal block which fits neatly in the back of the MCP.

Electrical description

The Intelligent Marine MCP is loop powered and operates at 17-35 V dc for all variants.

Protocol compatibility

The Intelligent Marine MCP is intended for use with equipment using the Apollo XP95, Discovery and CoreProtocol protocols. The table that follows shows how the device will behave.

Digital communication protocol compatibility	
Protocol	Device behaviour
XP95†	XP95
Discovery†	Discovery
CoreProtocol†	Soteria

†Fire control panel dependant

EMC Directive 2014/30/EU

The Intelligent Marine MCP complies with the essential requirements of the EMC Directive 2014/30/EU, provided that it is used as described in this data sheet.

A copy of the Declaration of Conformity is available from Apollo on request.

Conformity of the Intelligent Marine MCP with the EMC Directive does not confer compliance with the directive on any apparatus or systems connected to it.

Construction Products Regulation 305/2011/EU

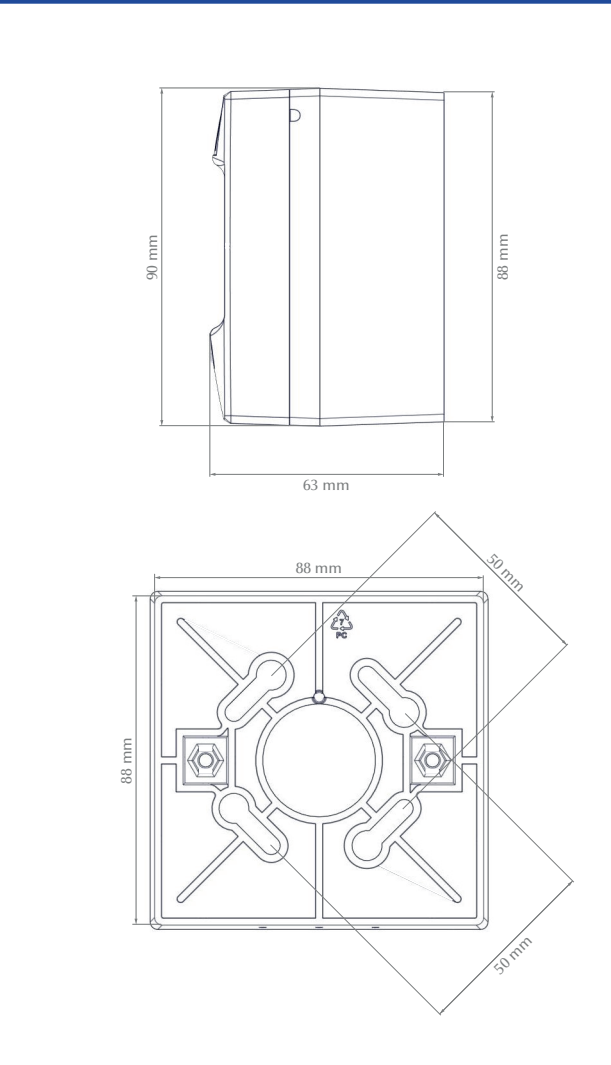
The Intelligent Marine MCP complies with the essential requirements of the Construction Products Regulation 305/2011/EU.

A copy of the Declaration of Performance is available from www.apollo-fire.co.uk.

Marine Equipment Directive 2014/90/EU

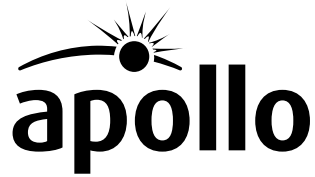
The Intelligent Marine MCP complies with the essential requirements of the Marine Equipment Directive 2014/90/EU.

Intelligent Marine Manual Call Point dimensional drawing



Intelligent Marine MCP accessories

Product	Hinged cover
Part No.	44251-189
Product	MCP Reset Key (Pack of 10)
Part No.	44251-176



Intelligent Manual Call Point Installation Guide

Installation

Part No	Product Name	Type
SA5900-908	Intelligent Manual Call Point	Indoor
SA5900-928	Intelligent Marine Manual Call Point	Indoor
SA5900-948	Intelligent Marine Manual Call Point (SIL Approved)	Indoor
SA5900-903	Intelligent Manual Call Point (White)	Indoor
SA5900-904	Intelligent Manual Call Point (Yellow)	Indoor
SA5900-905	Intelligent Manual Call Point (Blue)	Indoor
SA5900-906	Intelligent Manual Call Point (Green)	Indoor
SA5900-907	Intelligent Manual Call Point (Orange)	Indoor

Technical Information



100µA (24V supply voltage)



17-35V DC



4.0mA (24V supply voltage)

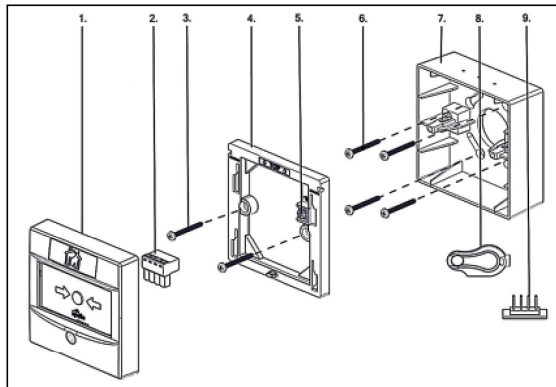


-40°C to 70°C

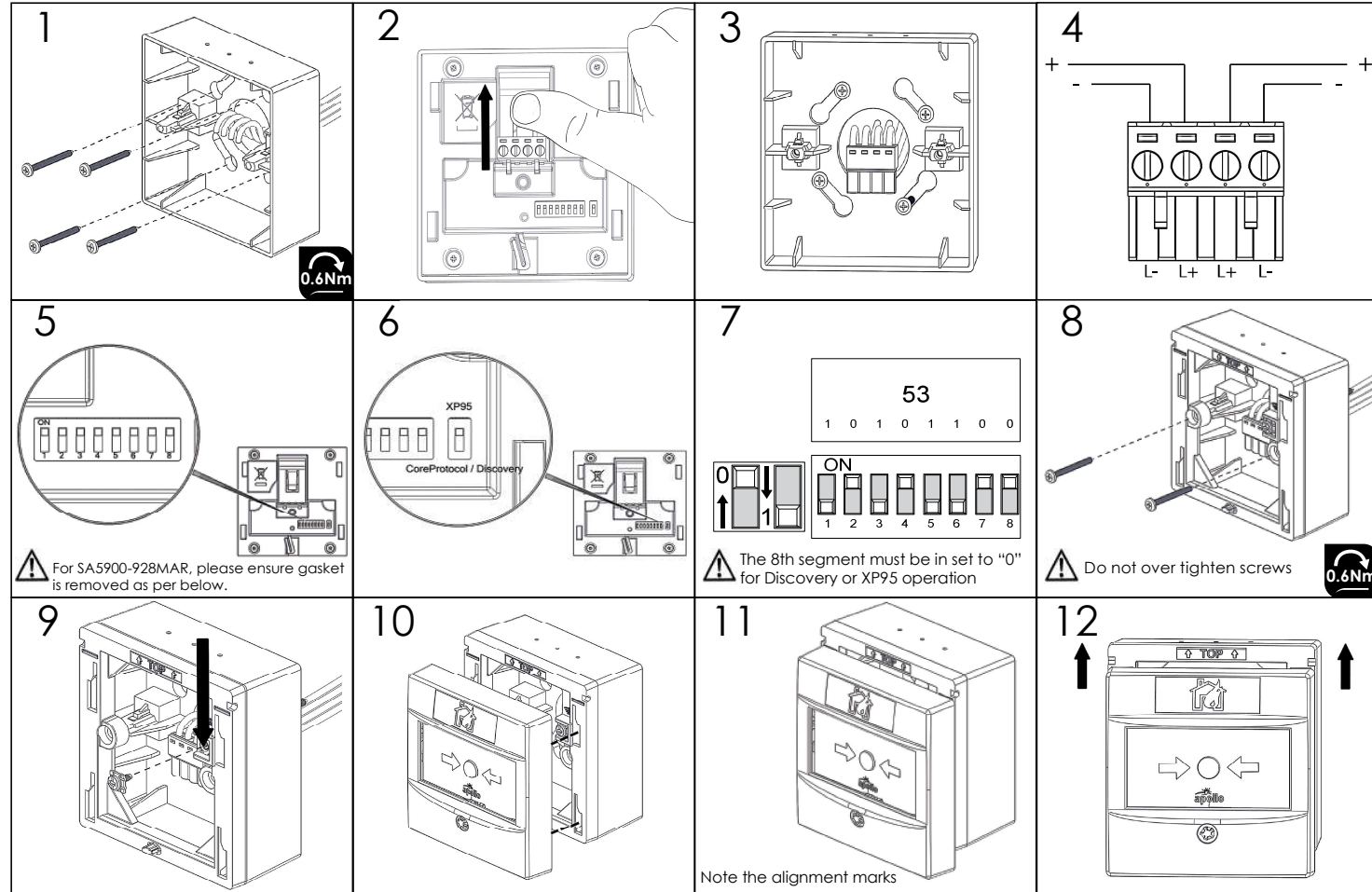


IP44 (SA5900-928MAR)

Product Overview

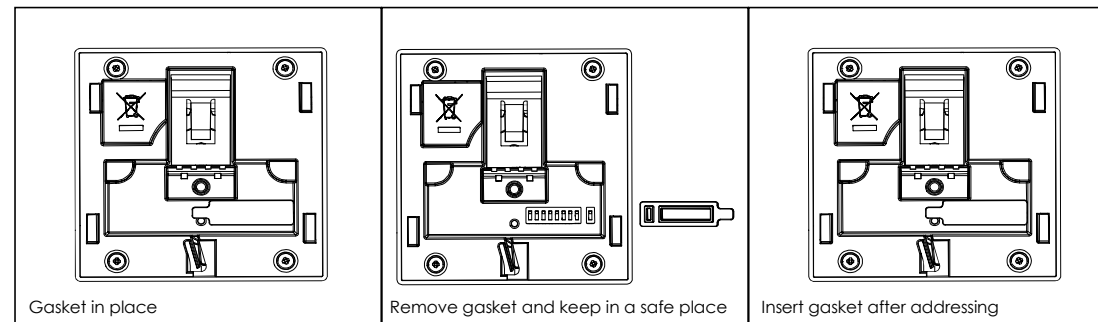


Item	Qty.	Item	Qty.
1. Head unit	1	6. Fixing screws (NOT SUPPLIED)	N/A
2. Connector block	1	7. Backbox	1
3. Fixing screws	2	8. Reset key	1
4. Mounting bracket	1	9. Continuity link	1
5. Earth Continuity Terminal	1		



SA5900-928MAR

For maintaining IP44 rating, please take care to remove the gasket before addressing and replacing after. This step fits inbetween image 4 and 5, and is placed back on between image 7 and 8.

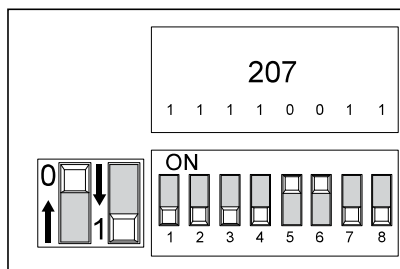
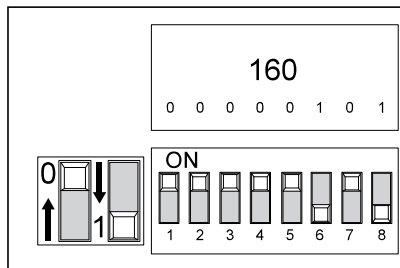
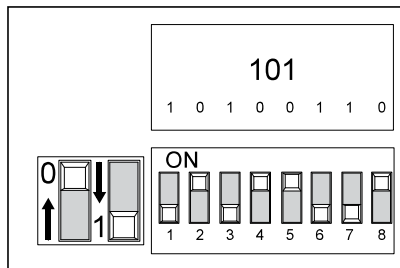
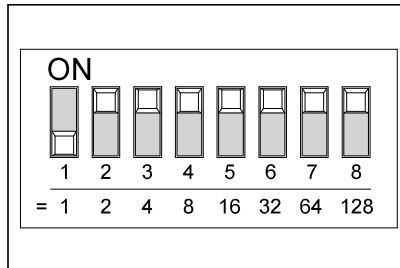


Gasket in place

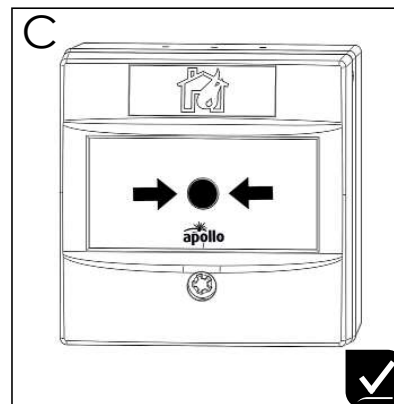
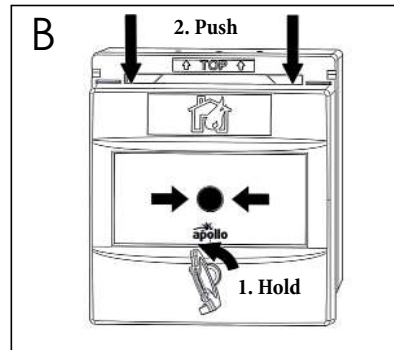
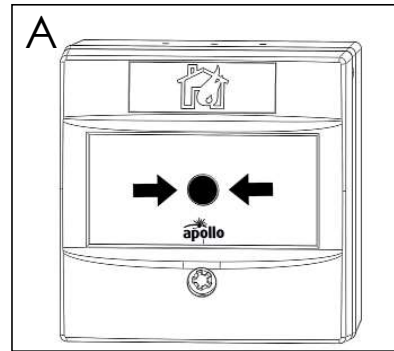
Remove gasket and keep in a safe place

Insert gasket after addressing

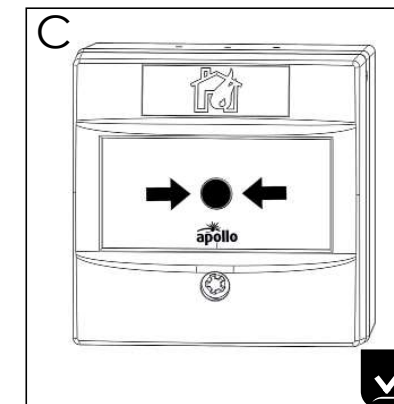
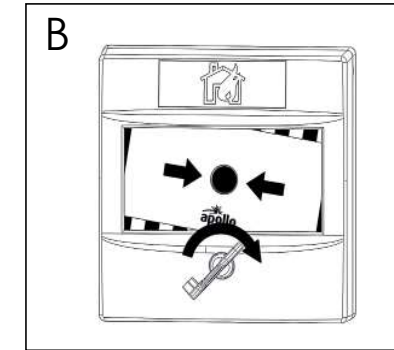
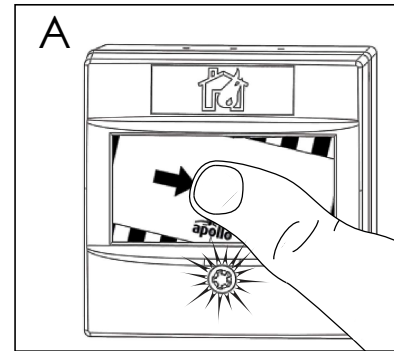
Address Setting Examples



Removal



Testing



LED Indicator

Illuminated red (under CIE control) when call point is operated.
Illuminated yellow when short-circuit isolator has operated (version with integrated isolator). Flashing yellow when a fault has occurred.
Flashing green when MCP is polled by the control panel (Discovery & Soteria only).

Commissioning

The installation must conform to BS5839-1 (or applicable local codes).

Transparent Hinged Cover

To provide additional protection against accidental operation, a Transparent Hinged Cover, part no 44251-189, is available or 44251-175 for multiples of 10.

Troubleshooting

Before investigating individual units for faults, it is important to check that the system wiring is fault free. Earth faults on data loops or interface zone wiring may cause communication errors. Many fault conditions are the result of simple wiring errors. Check all connections to the unit.

For additional technical information please refer to the following documents which are available on request.

PP2526 - Intelligent Manual Call Point Data Sheet

PP2534 - Intelligent Marine Manual Call Point Data Sheet

PP2090 - Short Circuit Isolator Data Sheet